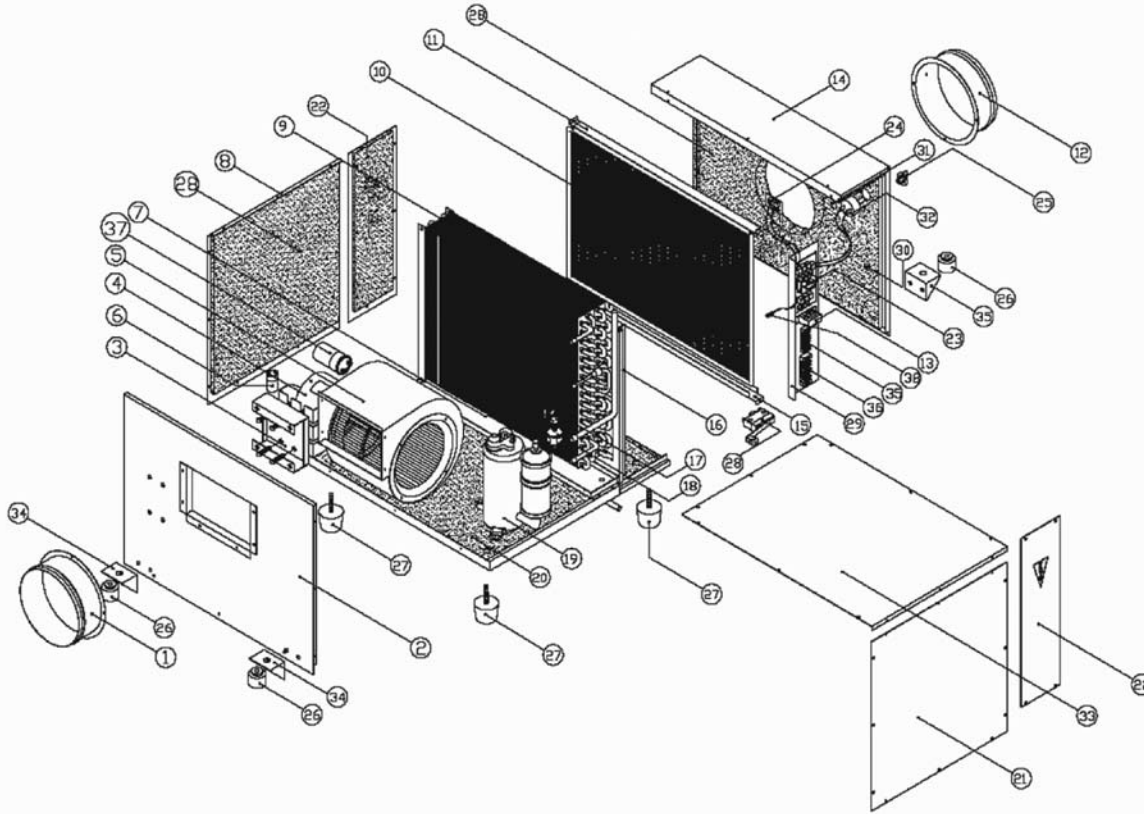


# Dehumidifier 1300



Item	Qty. Req'd	GFI Number	Description of Part	LIST / RETAIL PRICE EACH
1	1	7410	D114 Duct, Supply	\$60.91
2	1	7411	VB14 Panel, Blower Supply W/ Insulation	\$164.47
3	1	7412	BM14 Base, Motor	\$57.11
4	1	7413	MT14 Motor - 115v, 1/10 Hp, 3 Spd	\$352.28
5	1	7414	BW14 Blower Set (Wheel, Housing & Inlet)	\$156.40
6	1	7415	RC14 Capacitor, (Motor)	\$60.58
7	1	7416	DP14 Drain Pan (Stainless)	\$393.17
8	1	7417	SM14 Panel Side W/ Insulation	\$115.46
9	1	7418	CO14 Coil	\$712.06
10	1	7419	FT14 Filter, 431x 595 X 5 Mm, Nylon	\$81.63
11	1	7420	UF14 Upper Groove, Filter	\$37.80
12	1	7421	DR14 Duct, Return	\$61.95
13	1	7422	TR14 Transformer, 115-24vac, 24va	\$60.58
14	1	7423	VR14 Panel, Return Air W/ Insulation	\$201.40
15	1	7424	LF14 Lower Groove Filter	\$37.80
16	1	7425	SR14 Support, Side Panel Return Air	\$37.80
17	1	7426	TX14 Tex Valve	NLA
18	1	7427	FD14 Filter Drier	NLA
19	1	7428	CS14 Compressor	NLA

Item	Qty. Req'd	GFI Number	Description of Part	LIST / RETAIL PRICE EACH
20	1	7429	BT14 Bottom Pan	\$297.52
21	1	7430	SD14 Panel, Side W/ Insulation	\$96.38
22	2	7431	SP14 Panel, Filter W/ Insulation	\$60.58
23	1	7432	PP14 Pcb, Main	\$374.23
24	1	7433	HC14 Sensor Module, Humidity W/ Harness	\$161.71
25	1	7434	NC14 Knob, Control	\$30.85
26	4	7435	RI14 Isolator, Rubber	\$26.00
27	4	7436	AF14 Foot, Rubber, Adjustable	\$37.78
28	1	7437	DS14 Switch, Door	\$58.24
29	1	7438	CT14 Panel, Control	NLA
30, 31	1	7439	MH14 Grommet, Rubber, Closed, 7/8" Od	\$8.85
32	1	7440	RH14 Pot, Rh Adjustment, W/ Harness	\$73.39
33	1	7441	TP14 Panel, Top W/ Insulation	\$165.18
35	1	7443	TS14 Terminal Strip, Tb-10, 5 Amp	\$43.50
36	1	7444	TS14-1 Terminal Strip, Tb-6, 30 Amp	\$37.96
37	1	7445	RC14-1 Capacitor, (Compressor)	\$60.58
38	1	7446	DF14 Defrost Sensor W/ Harness	\$68.98

2% 10th Prox. Net 30 Days. F.O.B. Novi, Michigan

General Filters Inc. 43800 Grand River Novi, Michigan 48375-1115 Toll Free (866) 476-5101 Fax (248) 349-2366  
www.GeneralAire.com

Dehumidifier Replacement Parts