

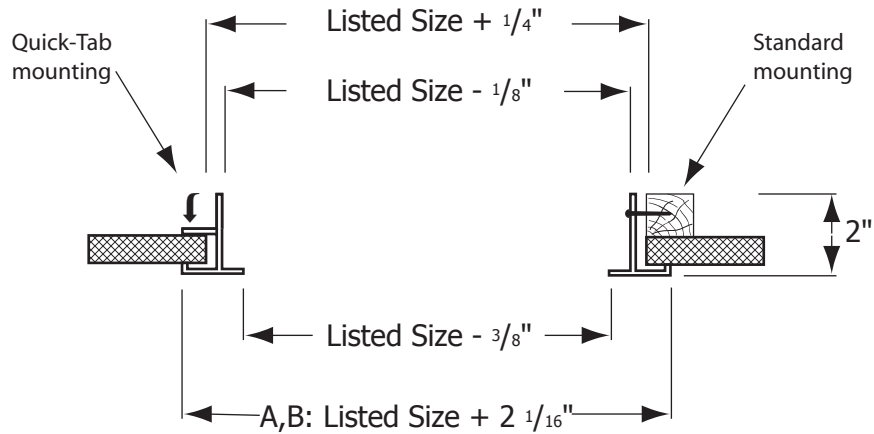
SUBMITTAL SHEET



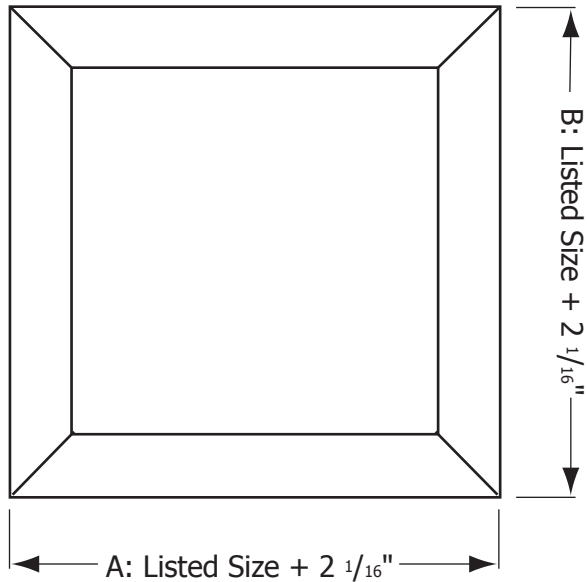
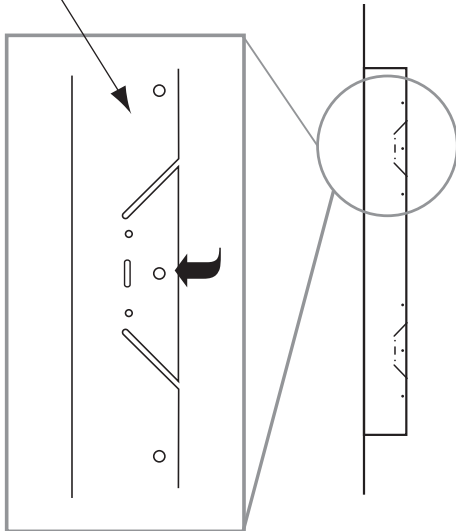
N° PF

Plaster And Drywall Frame

Material: All aluminium construction.



PRACTICAL FEATURE:
Depress quick-tabs to sandwich drywall



✓	Model #	Face Dim. A x B
	PF 1212	14 1/16" x 14 1/16"
	PF 1224	14 1/16" x 26 1/16"
	PF 2424	26 1/16" x 26 1/16"

Finish	
White <input type="checkbox"/>	Custom (please specify) <input type="checkbox"/>

Job: _____

Architect: _____

Engineer: _____

Contractor: _____

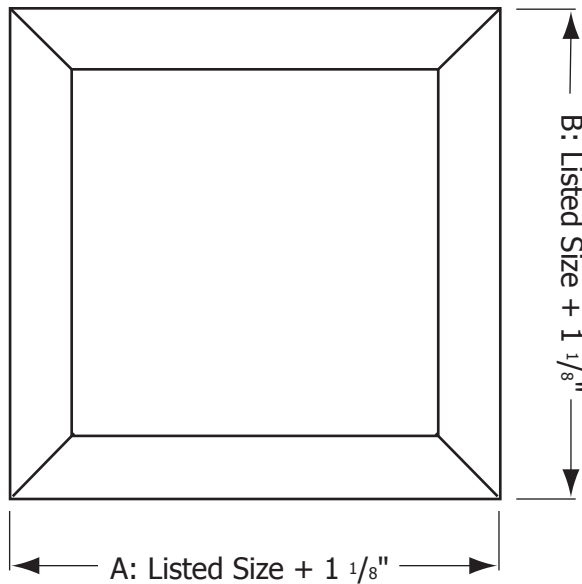
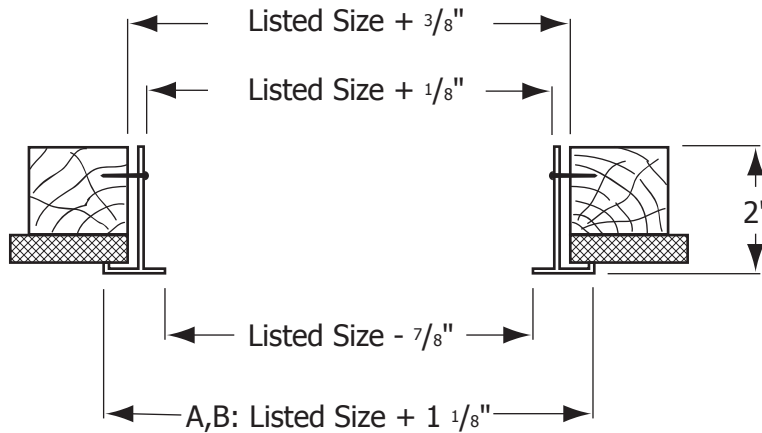
SUBMITTAL SHEET



N^o PF-S

Plaster And Drywall Frame

Material: All steel construction.
Finish: Powder paint coating - white.



✓	Model #	Face Dim. A x B
	PF-S 1212	13 1/8" x 13 1/8"
	PF-S 1224	13 1/8" x 25 1/8"
	PF-S 2424	25 1/8" x 25 1/8"

Finish	
White <input type="checkbox"/>	Custom (please specify) <input type="checkbox"/>

Job: _____

Architect: _____
Engineer: _____
Contractor: _____
