

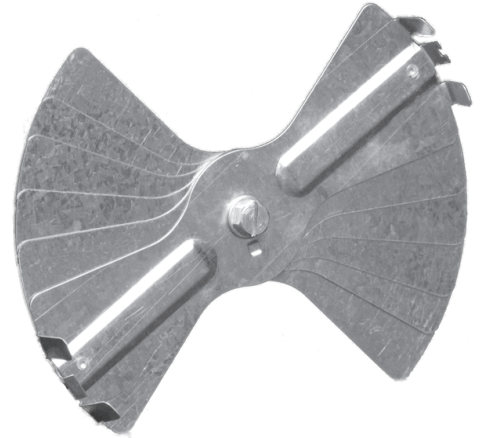
SUBMITTAL SHEET



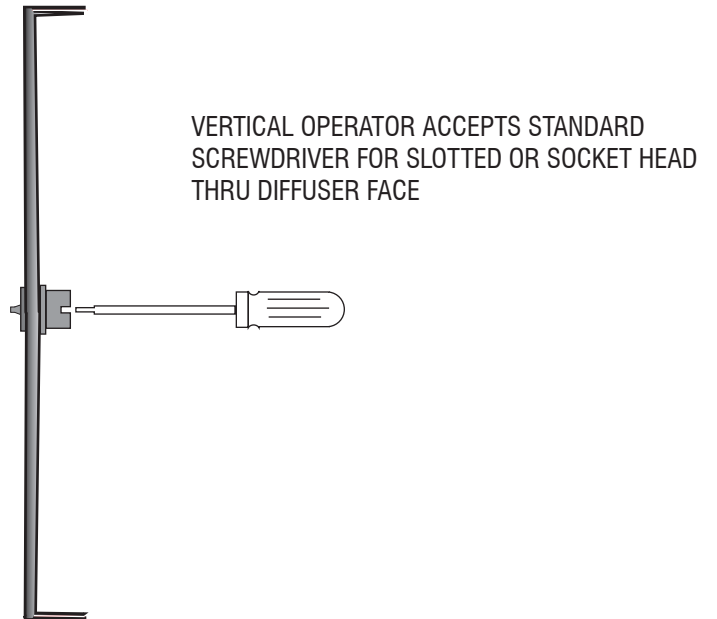
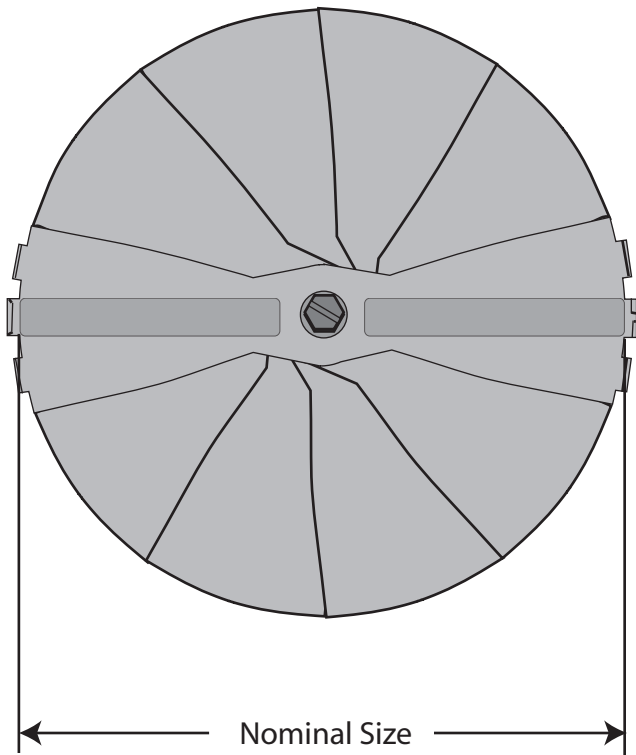
N° N5

Round Sliding Blade Damper

Material: All galvanized steel.
Mounting: Round collar of diffuser.



N5



✓	Model #	Nom. Size
	N5 06	6"
	N5 08	8"
	N5 10	10"
	N5 12	12"

Job: _____

Architect: _____

Engineer: _____

Contractor: _____

All dimensions in inches