

CEILING RADIATION DAMPER ROUND-TOP-OUTLET BOOT FOR REGISTER BOX ASM.

MODEL CRD-50-98-BT MODEL CRD50-EA-98-BT

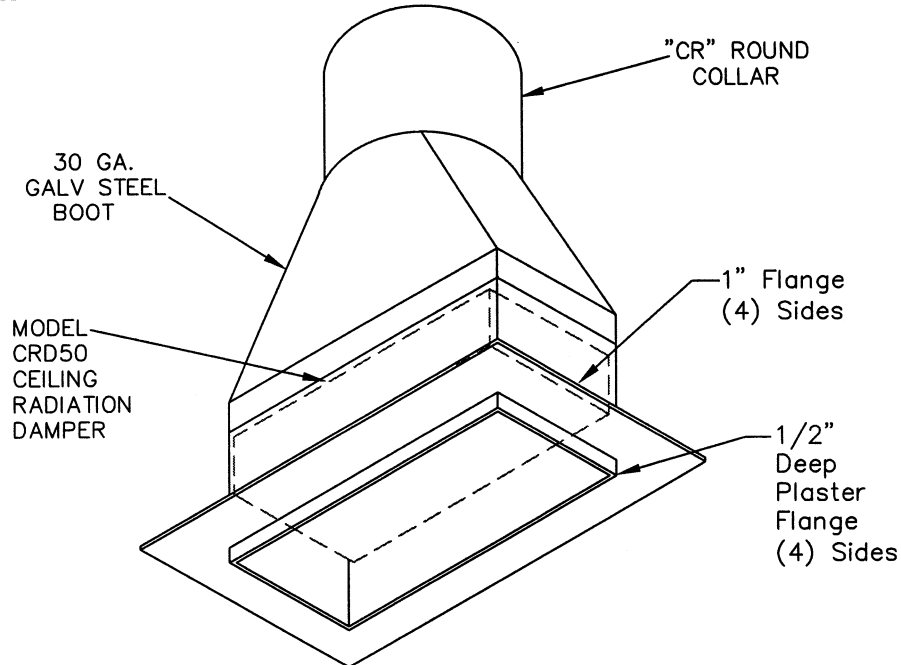
3 HOUR RATED DAMPER, 90° BOOT, AND ROUND COLLAR ASSEMBLY FOR 1 HOUR RATED PARTITIONS..

UL CEILING/FLOOR ASSEMBLY L-563

APPLICABLE TO SIMILAR ASSEMBLY TYPES: L-521, L-528, L-546, L-529, L-550, L-562, FC5512...

UL CEILING/ROOF ASSEMBLY P-544

APPLICABLE TO SIMILAR ASSEMBLY TYPES: P-522, P-531, P-538, FC5513, FC5515...



CEILING RADIATION DAMPER (UL LISTED 3 HOUR RATING)

1. FUSIBLE LINK (165 DEG F STANDARD) (OPTIONAL TEMPERATURES AVAILABLE)
2. DAMPER BLADES 22 GAUGE GALVANIZED STEEL
3. ROLL FORMED FRAME 22 GAUGE GALVANIZED STEEL
4. CERAMIC FIBER WITH FIBERGLASS COVER (SIZES OVER 80 SQ/IN)
5. RECTANGULAR W X H PROVIDED ACTUAL SIZE FOR REGISTER INSTALLATION.

BOOT/REGISTER BOX:

1. 30 GAUGE GALVANIZED STEEL
2. STANDARD 1/2" DEEP PLASTER FLANGE (ADDITIONAL DEPTHS AVAILABLE)
3. STANDARD 1" WIDE FLANGES (4) SIDES.
4. ROUND TYPE "CR" COLLAR. (PROVIDED NOMINAL SIZE)

FIBERGLASS INSULATION:

1. EXTERIOR WRAPPED FOIL FACED FIBERGLASS R-6 INSULATION. (BY OTHER)
2. 1-1/2" WIDE UL 181 ALUMINUM DUCT TAPE. (BY OTHER)

SIZE LIMITS:

CONTACT THE FACTORY FOR AVAILABLE W X H X ROUND COLLAR SIZES.



10404-4-REV-C



LLOYD INDUSTRIES INC.

231 Commerce Dr.
Montgomeryville, PA 18936
Tel: 215-412-4445
fax: 215-412-4409

5858 Broadway Ave.
Jacksonville, FL 32254
Tel: 904-378-8440
Fax: 904-378-8441

Email: lloydind@firedamper.com

Email: lloydind1@bellsouth.net

Web Site: firedamper.com