



## EXTRUDED ALUMINUM LOUVER

**MODEL: 4-SRF**

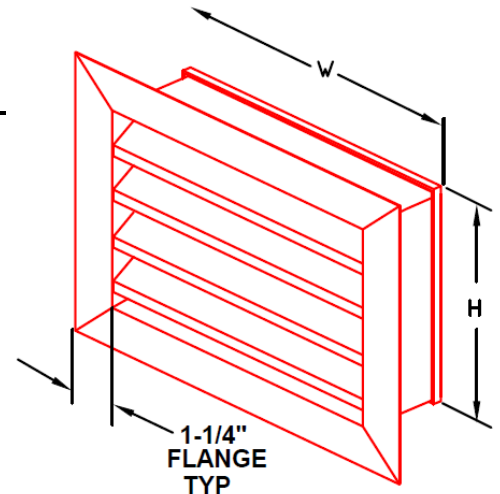
**IMPACT RESISTANT LOUVER**

**Miami Dade Approved-NOA No. 12-0207.04**



### APPLICATION

The 4-SRF Stationary Louver with Flange Frame is a 4" deep louver for the protection of high air intake velocities and exhaust in building exterior walls. The 4-SRF is a capable louver with AMCA STD 500 Performance Data allowing designers to select.

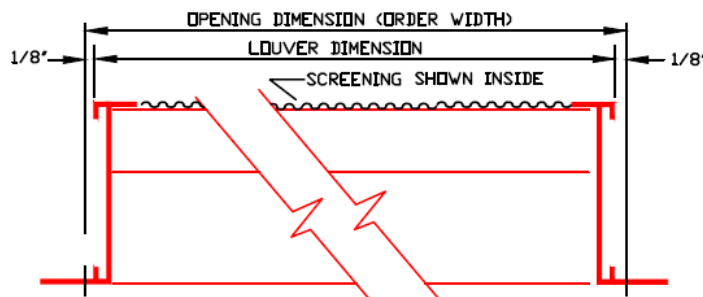
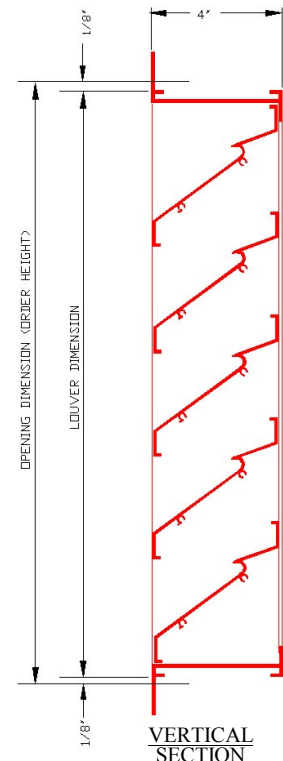
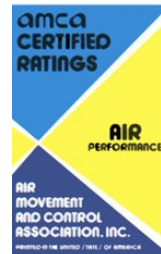


### SPECIFICATIONS

- Frame:** 0.081 thick extruded aluminum  
6063-T5 mill finish
- Blade:** 0.081 thick extruded aluminum  
6063-T5 mill finish
- Blade Spacing:** 3-1/4" centers except at head and sills
- Fasteners:** 10" x 3/4" tek screws
- Blade Angle:** 36°
- Screen:** Bird screen  
1/2" x 1/2" galvanized steel
- Flange:** 1-1/4"

### OPTIONS

- Insect Screen 1/16" x 1/16" Aluminum
- Bird Screen 1/2" x 1/2" Aluminum
- Finish:** Clear Anodized  
Color Anodized  
Powder Coat Paint  
Baked Enamel Paint



HORIZONTAL SECTION

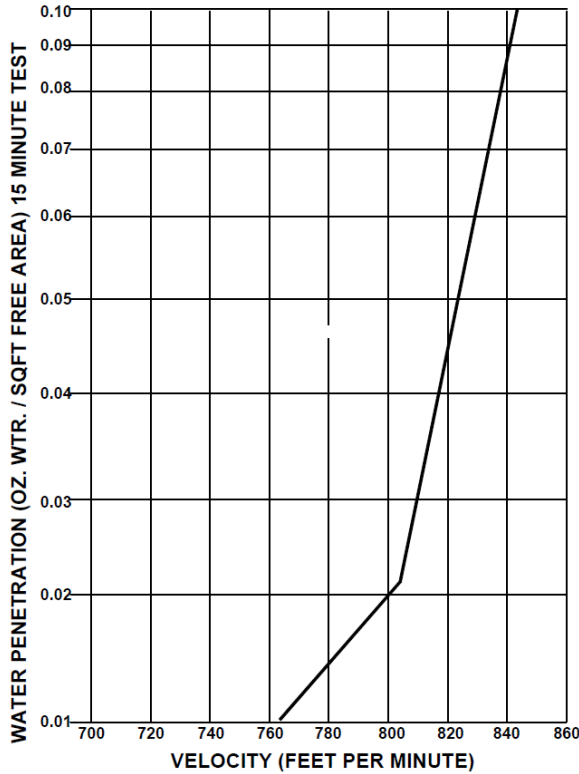
VERTICAL SECTION





**EXTRUDED ALUMINUM LOUVER**

Test on a 48"x48' size louver  
**WATER PENETRATION TEST**

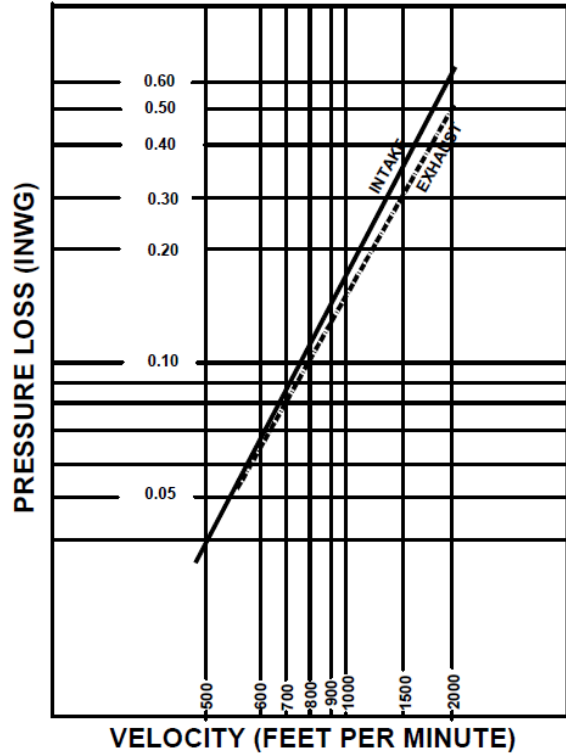


The beginning point of water penetration is 713 FPM @ 0.01 OZ/SQ.FT. of free area.

Performance testing in accordance with AMCA STD 500

**MODEL: 4-SRF**

**AIR RESISTANCE TEST**



**Louver size determination**

air flow volume	cfm / free area velocity @ beginning point of water penetration	fpm =	ft <sup>2</sup> Required Louver Free Area
<b>Select louver size from Free Area Chart below, based on required louver free area above</b>			
<b>Determine pressure drop from Pressure Drop Chart based on required louver free area above</b>			

**FREE AREA IN SQ. FT.**

**WIDTH**

	12"	18"	24"	30"	36"	42"	48"	54"
12"	0.24	0.41	0.57	0.74	0.90	1.06	1.23	1.47
24"	0.65	1.09	1.54	1.93	2.46	2.91	3.35	3.75
30"	0.81	1.30	1.84	2.37	2.93	3.47	3.99	4.46
36"	0.99	1.75	2.46	3.18	3.93	4.64	5.34	5.98
42"	1.22	2.16	3.05	3.94	4.86	5.75	6.62	7.41
48"	1.43	2.60	3.67	4.74	5.86	6.93	7.97	8.93
54"	1.60	2.81	3.97	5.12	6.33	7.48	8.61	9.64
60"	1.80	3.26	4.59	5.93	7.33	8.66	9.96	11.16
66"	1.90	3.70	5.22	6.74	8.32	9.84	11.32	12.68
72"	2.20	3.91	5.51	7.12	8.79	10.40	11.96	13.39
78"	2.43	4.35	6.13	7.92	9.79	11.57	13.31	14.91
84"	2.61	4.77	6.72	8.68	10.72	12.68	14.59	16.34
90"	2.87	5.21	7.35	9.49	11.72	13.86	15.94	17.85

**H  
E  
I  
G  
H  
T**

