

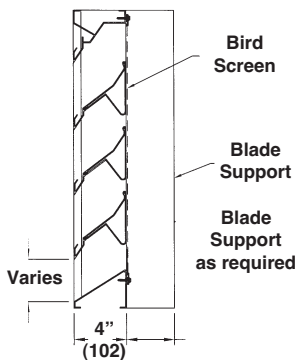
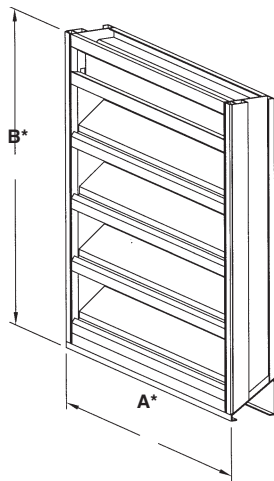


4375DC DRAINABLE STATIONARY LOUVER

MIAMI-DADE APPROVED

MIAMI-DADE COUNTY, FLORIDA NOTICE OF ACCEPTANCE NUMBER: 08-1202.04 (Expires 1/3/13)

Florida Product Approval #FL12900



STANDARD CONSTRUCTION

FRAME

4" (102) deep, 6063T5 extruded aluminum with .081" (2.1) nominal wall thickness. Downspouts and caulking slots provided.

BLADES

6063T5 extruded aluminum, .081" (2.1) nominal wall thickness. Drainable blades are positioned at 37¹/₂° angle and spaced approximately 5³/₃₂" (129) center to center.

SCREEN

5/8" x .040" (16 x 1) expanded, flattened aluminum bird screen in removable frame. Screen adds approximately 1/2" (13) to louver depth.

FINISH

Mill.

APPROXIMATE SHIPPING WEIGHT

6 lbs./ft.² (29.3 kg/m²).

MINIMUM SIZE

12"w x 12"h (305 x 305).

MAXIMUM SIZE

79¹⁵/₁₆"w x 120"h (2031 x 3048) factory assembly, unlimited width x 120"h (3048) field assembly. Louvers larger than the maximum factory assembly size will require field assembly of smaller sections.

INSTALLATION

The 4375DC must be installed per the appropriate installation detail. Reference the appropriate separate installation instruction sheets.

BLADE SUPPORTS

Factory installed on louvers over 28" (635) wide. Support depth is 3" (76) on louvers 60" (1524) tall and under. Support depth is 6" (152) on louvers over 60" (1524) tall.

RECYCLED CONTENT

10% Post Consumer.
30% Pre Consumer, Post Industrial.

FEATURES

- Approved for use in open structures with provisions to manage weather infiltration (wet rooms).
- Maximum windload ±130 PSF (6.22 kPa).
- High performance frame system with drainable head collects and removes water to provide excellent water penetration performance.
- Drain gutter in each blade minimizes water cascade between blades.
- 49% Free Area in 48" x 48" (1.2 x 1.2) size.
- Published performance ratings based on testing in accordance with AMCA Publication 511.
- Aluminum construction for low maintenance and high resistance to corrosion.
- All welded construction.

VARIATIONS


Variations to the basic design of these louvers are available at additional cost. They include:

- Extended sill.
- Front or rear security bars.
- Filter racks.
- A variety of bird and insect screens.
- Optional finishes available at additional cost: prime coat, baked enamel (modified fluoropolymer), epoxy, Pearledize, Kynar, clear and color anodize. (Some variation in anodize color consistency is possible.)

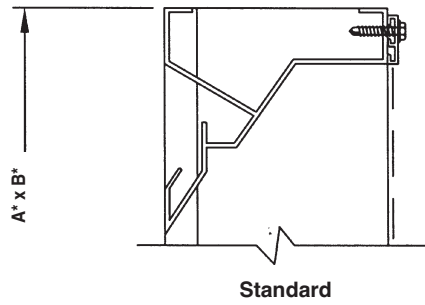
Consult Reliable for other special requirements.

Dimensions in inches, parenthesis () indicate millimeters.

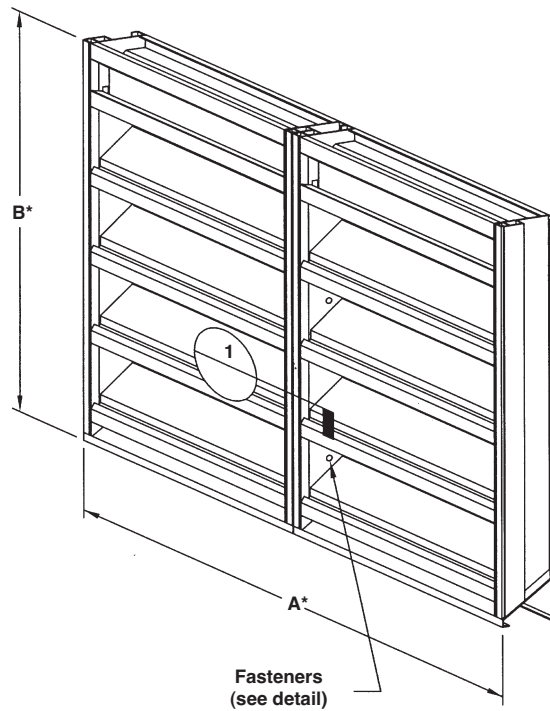
*Units furnished 1/2" (13) smaller than given opening dimensions.

TAG	QTY.	SIZE		FRAME	WALL DEPTH	VARIATIONS
		A*-WIDE	B*-HIGH			
PROJECT	 WebREPS 1-800-810-3280	LOCATION		CONTRACTOR DATE		
ARCH./ENGR.						
REPRESENTATIVE						

FRAME CONSTRUCTION

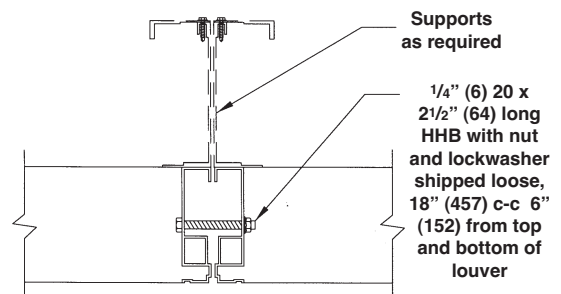


MULTI SECTION FIELD SPLICE DETAIL



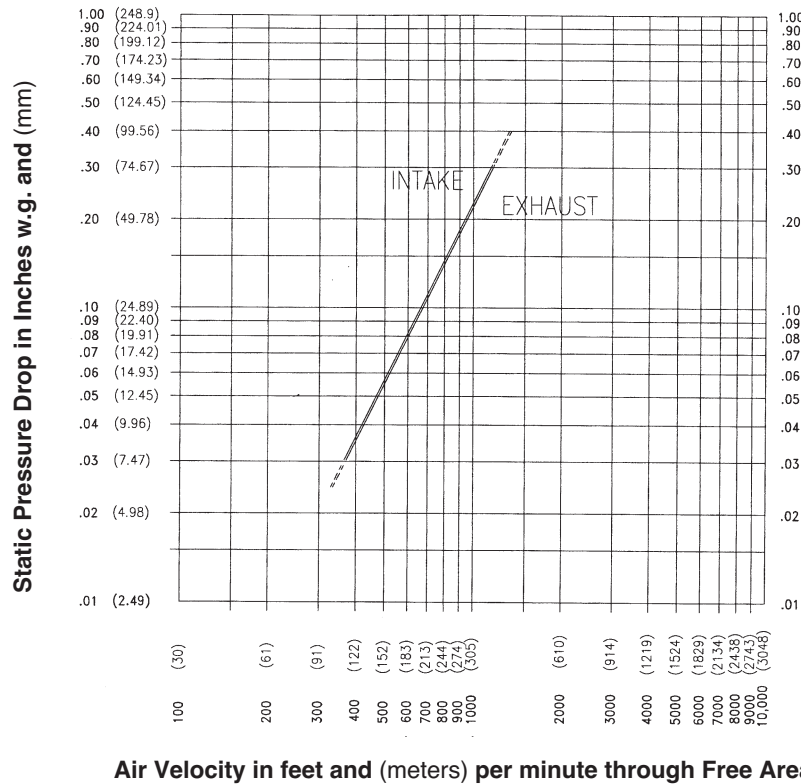
GENERAL NOTES:

1. Reference separate Installation Instruction sheets for installation details. Each frame style has a distinct installation method that must be compiled for Miami-Dade and Florida Approval. It is the responsibility of the installing contractor to properly install the louvers per the appropriate detail.
2. On special orders, Reliable may provide submittal and/or shop drawings. Reference these drawings for additional installation information.
3. Louvers may be provided with hidden vertical blade supports (HVBS) that increase overall installation depth by several inches. Consult Reliable Louver Engineering for exact HVBS depth.
4. Louvers wider than the maximum single section width will be shipped in multiple sections and will require field assembly.



1. SPLICE DETAIL PLAN

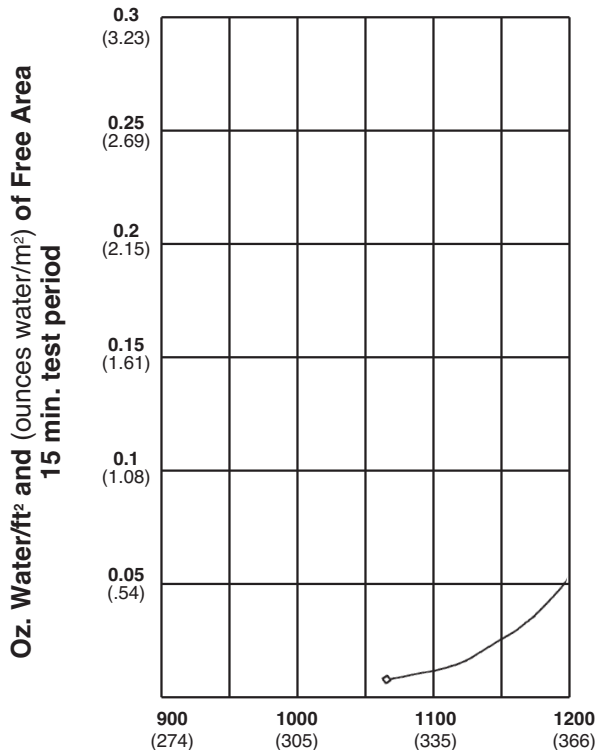
PRESSURE DROP



WATER PENETRATION GRAPH

Test size 48" wide x 48" high (1219 x 1219)

Beginning point of water penetration at .01 oz./sq. ft. is 1055 fpm (322 m/min).



Free Area Velocity in feet (meters) per minute
Standard air .075 lb/ft³

Ratings do not include the effect of a bird screen.



Reliable Products certifies that the 4375DC Louvers shown herein are licensed to bear the AMCA Seal. The ratings shown are based on tests and procedures performed in accordance with AMCA Publication 511 and comply with the requirements of the AMCA Certified Ratings Program. The AMCA Certified Ratings Seal applies to air performance ratings and water penetration ratings only.



MIAMI-DADE COUNTY HURRICANE STRUCTURAL TEST PERFORMANCE

SIZES TESTED: 240¹/₁₆"w x 120" h (6098 x 3048) and 240¹/₁₆"w x 60" h (6098 x 1524)

TAS 201-94 LARGE MISSILE IMPACT TEST

MISSILE TYPE	VELOCITY IN FT/SEC (M/SEC)	IMPACTS
9 lb (4kg) Southern Pine 2" x 4" (51 x 102)	50 (15.24)	7

TAS 202-94 UNIFORM STATIC AIR PRESSURE TEST

LOAD IN PSF (kPa)	LOAD DURATION	LOUVER RECOVERY
+111 (+5.3)	30 seconds	100%
-111 (-5.3)	30 seconds	100%
+148 (+7.1)	30 seconds	100%
-148 (-7.1)	30 seconds	100%
+222 (+10.6)	30 seconds	100%
-222 (-10.6)	30 seconds	100%

TAS 203-94 CYCLIC WIND PRESSURE TEST

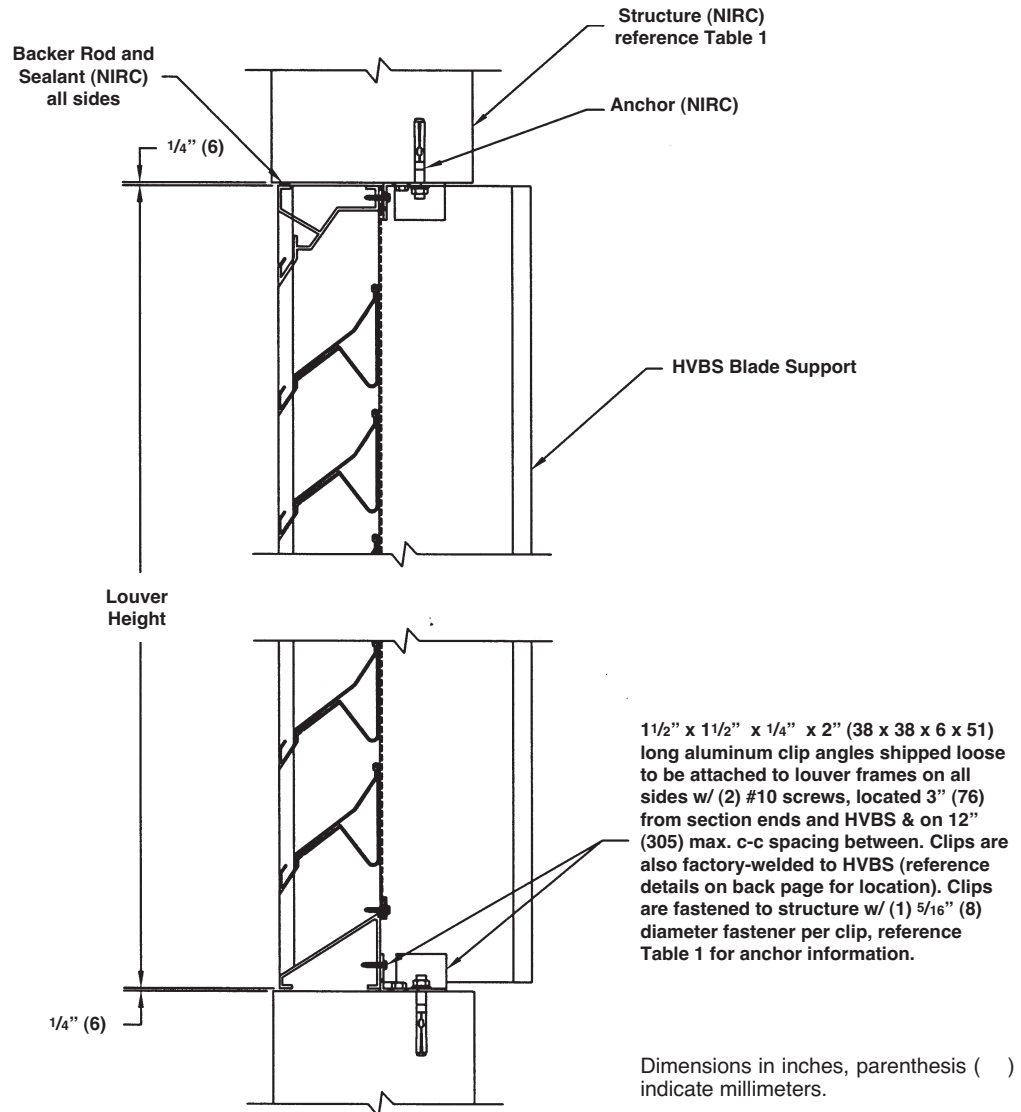
CYCLES	LOAD IN PSF (kPa)	LOAD DURATION CYCLE	LOUVER RECOVERY
600	+74 (+3.54)	1 to 3 seconds	100%
600	-74 (-3.54)	1 to 3 seconds	100%
70	+88.8 (+4.25)	1 to 3 seconds	100%
70	-88.8 (-4.25)	1 to 3 seconds	100%
1	+192.4 (+9.21)	1 to 3 seconds	100%
1	-192.4 (-9.21)	1 to 3 seconds	100%

FREE AREA GUIDE

Free Area Guide shows free area in ft² and m² for various sizes of 4375DC.
Width – Inches and Meters

	12 0.30	18 0.46	24 0.61	30 0.76	36 0.91	42 1.07	48 1.22	54 1.37	60 1.52	66 1.68	72 1.83	78 1.98	80 2.03
12	0.16	0.36	0.57	0.78	0.99	1.20	1.41	1.62	1.82	2.03	2.24	2.45	2.52
0.30	0.01	0.03	0.05	0.04	0.09	0.11	0.13	0.15	0.17	0.19	0.21	0.23	0.23
18	0.28	0.65	1.02	1.39	1.76	2.13	2.50	2.87	3.24	3.62	3.99	4.36	4.48
0.46	0.03	0.06	0.09	0.13	0.16	0.20	0.23	0.27	0.30	0.34	0.37	0.41	0.42
24	0.40	0.93	1.47	2.00	2.53	3.07	3.60	4.13	4.67	5.20	5.73	5.60	5.78
0.61	0.04	0.09	0.14	0.19	0.24	0.29	0.33	0.38	0.43	0.48	0.53	0.52	0.54
30	0.52	1.22	1.91	2.61	3.30	4.00	4.70	5.39	6.09	6.78	7.48	7.30	7.54
0.76	0.05	0.11	0.18	0.24	0.31	0.37	0.44	0.50	0.57	0.63	0.70	0.68	0.70
36	0.62	1.44	2.27	3.09	3.92	4.74	5.57	6.40	7.22	8.05	8.87	9.70	9.97
0.91	0.06	0.13	0.21	0.29	0.36	0.44	0.52	0.59	0.67	0.75	0.83	0.90	0.93
42	0.74	1.73	2.72	3.70	4.69	5.68	6.67	7.65	8.64	9.63	10.62	11.60	11.93
1.07	0.07	0.16	0.25	0.34	0.44	0.53	0.62	0.71	0.80	0.90	0.99	1.08	1.11
48	0.86	2.01	3.16	4.31	5.46	6.61	7.76	8.91	10.06	11.21	12.36	13.51	13.90
1.22	0.08	0.19	0.29	0.40	0.51	0.61	0.72	0.83	0.94	1.04	1.15	1.26	1.29
54	0.98	2.30	3.61	4.92	6.23	7.55	8.86	10.17	11.48	12.80	14.11	15.42	15.86
1.37	0.09	0.21	0.34	0.46	0.58	0.70	0.82	0.95	1.07	1.19	1.31	1.43	1.47
60	1.11	2.58	4.06	5.53	7.01	8.48	9.96	11.43	12.90	14.38	15.85	17.33	17.82
1.52	0.10	0.24	0.38	0.51	0.65	0.79	0.93	1.06	1.20	1.34	1.47	1.61	1.66
66	1.20	2.81	4.41	6.02	7.62	9.23	10.83	12.43	14.04	15.64	17.25	18.85	19.39
1.68	0.11	0.26	0.41	0.56	0.71	0.86	1.01	1.16	1.31	1.45	1.60	1.75	1.80
72	1.33	3.09	4.86	6.63	8.39	10.16	11.93	13.69	15.46	17.23	18.99	20.76	21.35
1.83	0.12	0.29	0.45	0.62	0.78	0.94	1.11	1.27	1.44	1.60	1.77	1.93	1.99
78	1.45	3.38	5.31	7.23	9.16	11.09	13.02	14.95	16.88	18.81	20.74	22.67	23.31
1.98	0.13	0.31	0.49	0.67	0.85	1.03	1.21	1.39	1.57	1.75	1.93	2.11	2.17
84	1.57	3.66	5.75	7.84	9.94	12.03	14.12	16.21	18.30	20.39	22.49	24.58	25.27
2.13	0.15	0.34	0.53	0.73	0.92	1.12	1.31	1.51	1.70	1.90	2.09	2.29	2.35
90	1.69	3.94	6.20	8.45	10.71	12.96	15.21	17.47	19.72	21.98	24.23	26.49	27.24
2.29	0.16	0.37	0.58	0.79	1.00	1.21	1.41	1.62	1.83	2.04	2.25	2.46	2.53
96	1.81	4.23	6.65	9.06	11.48	13.89	16.31	18.73	21.14	23.56	25.98	28.39	29.20
2.44	0.17	0.39	0.62	0.84	1.07	1.29	1.52	1.74	1.97	2.19	2.42	2.64	2.72
102	1.91	4.46	7.00	9.55	12.0	14.64	17.19	19.73	22.28	24.82	27.37	29.92	30.76
2.59	0.18	0.41	0.65	0.89	1.12	1.36	1.60	1.84	2.07	2.31	2.55	2.78	2.86
108	2.03	4.74	7.45	10.16	12.87	15.57	18.28	20.99	23.70	26.41	29.12	31.82	32.73
2.74	0.19	0.44	0.69	0.94	1.20	1.45	1.70	1.95	2.20	2.46	2.71	2.96	3.04
114	2.15	5.02	7.89	10.77	13.64	16.51	19.38	22.25	25.12	27.99	30.86	33.73	34.69
2.90	0.20	0.47	0.73	1.00	1.27	1.54	1.80	2.07	2.34	2.60	2.87	3.14	3.23
120	2.27	5.31	8.34	11.37	14.41	17.44	20.47	23.51	26.54	29.57	32.61	35.64	36.65
3.05	0.21	0.49	0.78	1.06	1.34	1.62	1.90	2.19	2.47	2.75	3.03	3.31	3.41

INSTALLATION DETAILS

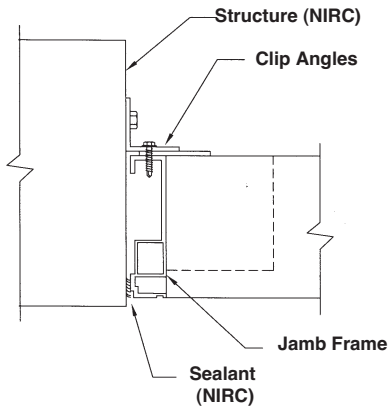


4375DC LOUVER INSTALLATION DETAIL

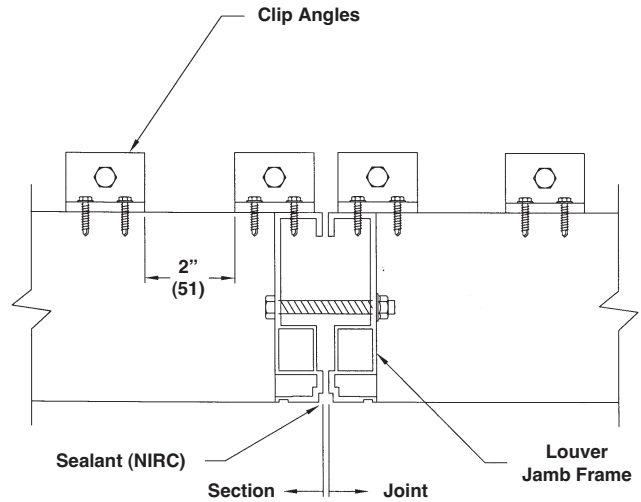
Refer to back page for Table 1 and other details

NOTES:

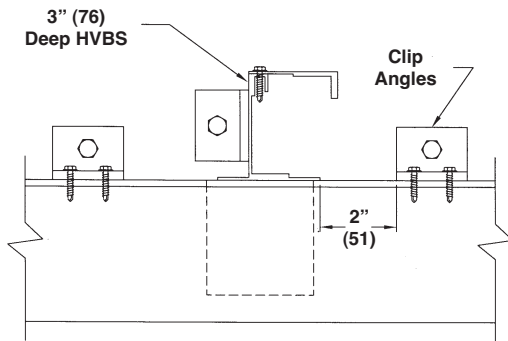
1. The installation shown herein must be followed strictly to ensure compliance with Miami-Dade and Florida Approvals.
2. Aluminum clip angles and #10 screws shown above are provided by Reliable. Anchors for connection to structure are not provided by Reliable.
3. One anchor into the substrate is required at every clip angle. Reference Table 1 for anchor information.
4. Reliable is not responsible for determining the suitability of the structure, or for gaining approval for non-compliant installations.
5. Shims may be required to achieve consistent clearance between louver and opening on all sides. Shims are not provided by Reliable.
6. Backer rod and sealant are not provided by Reliable.
7. HVBS = Hidden Vertical Blade Support.
8. NIRC = Not in Reliable's Contract.



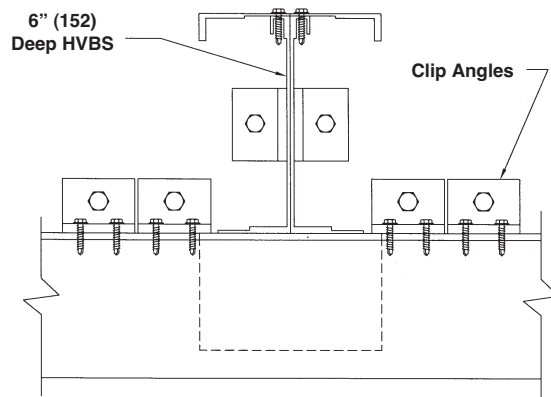
CONNECTION AT JAMB
Plan View, All Heights



CLIP ANGLE LOCATION AT SECTION JOINT
Plan View, 60" (1524) Tall & Under



CLIP ANGLE LOCATION AT 3" (76) HVBS
Plan View, 60" (1524) Tall & Under



CLIP ANGLE LOCATION AT 6" (152) HVBS
Plan View, Over 60" (1524) Tall

STRUCTURE	ANCHOR (By Others)	INSTRUCTIONS
Wood	$\frac{5}{16}$ " (8) Dia. Lag Bolt	3" (76) embed, 4 $\frac{1}{2}$ " (115) min. edge
Concrete 3000 Min. PSI	$\frac{5}{16}$ " (8) Dia. Tapcon (ITW or equal)	2 $\frac{1}{2}$ " (64) embed, 5" (127) min. edge
Concrete 2000 Min. PSI	$\frac{5}{16}$ " (8) Dia. Expansion Anchor (Hilti or equal)	1 $\frac{3}{4}$ " (44) embed, 4" (102) min. edge
Grout Filled Block	$\frac{5}{16}$ " (8) Dia. Tapcon (ITW or equal)	1 $\frac{3}{4}$ " (44) embed, 4" (102) min. edge
Steel Framing (12 Ga. Min.)	$\frac{5}{16}$ " (8) Dia. A307 Bolt or Self-Tapping Screw	1.5 x fastener dia. min. edge

NOTES:

1. All fasteners must be installed per the manufacturer's Miami-Dade/Florida approved installation instructions.
2. Dimensions in inches, parenthesis () indicate millimeters.



6375DC DRAINABLE STATIONARY LOUVER

MIAMI-DADE APPROVED

MIAMI-DADE COUNTY, FLORIDA NOTICE OF ACCEPTANCE NUMBER: 08-1110.12 (Renewal Pending)

Florida Product Approval #FL12900

STANDARD CONSTRUCTION

FRAME

Universal Flange Frame with front flange: 6" (152) deep, .081" (2.1) nominal wall thickness. Downspouts and caulking surfaces provided.

Optional Box Frame: Same material and gauges as above without front flange. For masonry walls only.

Optional Sleeved Box Frame (for louver/ damper combination units only): box frame with factory installed .125" thick aluminum sleeve around perimeter. Sleeve depth: 33" (838). Reference back page for frame details.

BLADES

6063T5 extruded aluminum. 081" (2.1) nominal wall thickness. Drainable blades are positioned at 37 1/2° angle and spaced approximately 5 29/32" (150) center to center.

SCREEN

3/4" x .051" (19 x 1.3) expanded, flattened aluminum bird screen in removable frame.

FINISH

Mill.

APPROXIMATE SHIPPING WEIGHT

14 lbs./ft.² (68 kg per m²)

MINIMUM SIZE

12"w x 12"h (305 x 305).

MAXIMUM SIZE

Universal Installation Frame: 84"w x 120"h (1234 x 3048) factory assembly, unlimited width x 120"h (3048) field assembly.

Optional Box Frame (for masonry walls only): 47 1/4"w x 71 1/4"h (1200 x 1810) factory and field assembly.

Optional Sleeved Box Frame (for louver/ damper combination): 78"w x 96"h (1981 x 2438) factory assembly, 156" x 96" (3962 x 2438) field assembly.

INSTALLATION

The 6375DC must be installed per the appropriate Installation Detail. Reference the appropriate separate Installation Instruction Sheets.

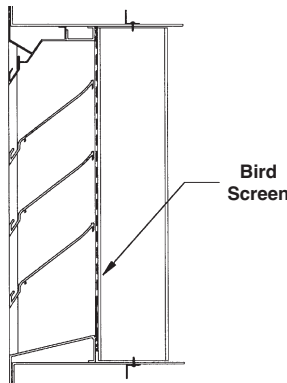
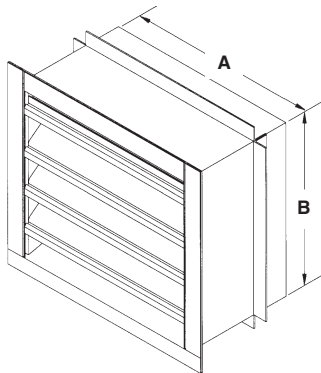
Consult Reliable for additional information.

FEATURES

- Approved for use in open structures with provisions to manage weather infiltration (wet rooms).
- Maximum windload ±148 PSF (7.08 kPa).
- Universal Flange Frame allows installation in walls up to 10" deep (254) and in any wall material. Also available for walls up to 15" (381) deep with UFF15 frame.
- No additional installation angles or fasteners are required with the Universal Installation Frame. Fasteners penetrating the wall are not utilized.
- Approved for use in closed structures with provisions to manage weather infiltration when combined with optional 8RAFBCD7 control damper.
- Optional Box Frame construction available for use in masonry walls only. Maximum windload for Box Frame construction is ±138 psf.
- Optional Sleeved Box Frame construction available for 6375DC/8RAFBCD7 combination units. Optional frame construction available for 6375DC/8RAFBCD7 combination units. Dampers are shipped separately for field installation in sleeves.
- 57% Free Area.
- Published performance ratings based on testing in accordance with AMCA Publication 500-L.
- Optional finishes available at additional cost: prime coat, baked enamel (modified fluoropolymer), epoxy, Acrodize, Kynar, clear and color anodize. (Some variation in anodize color consistency is possible.)

Consult Reliable for other special requirements.

Louvers ordered as Actual Size will not be undersized. Order acknowledgements for actual size orders or orders with engineering drawings may show actual louver frame dimensions less sleeve thickness.




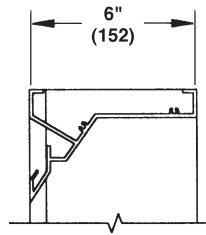
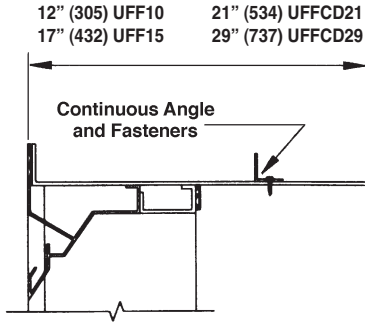
*Please provide Rough Opening Dimensions for A & B dimensions.

Unless ordered as actual size, louvers will be provided smaller than the A & B dimensions provided.

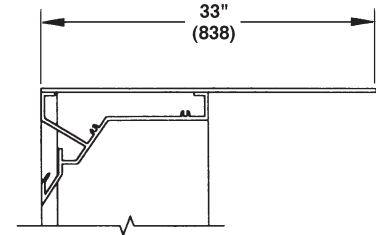
Universal Flange Frame louvers will be undersized 1/2" (12) from the rough opening dimensions provided. Louvers with the optional Box Frame will be undersized 1" (25) from the rough opening dimensions provided. Louvers with the optional Sleeved Box Frame will be undersized 1 3/4" (45) in width and 7/8" (22) in height from the rough opening dimensions provided.

Dimensions in inches, parenthesis () indicate millimeters.

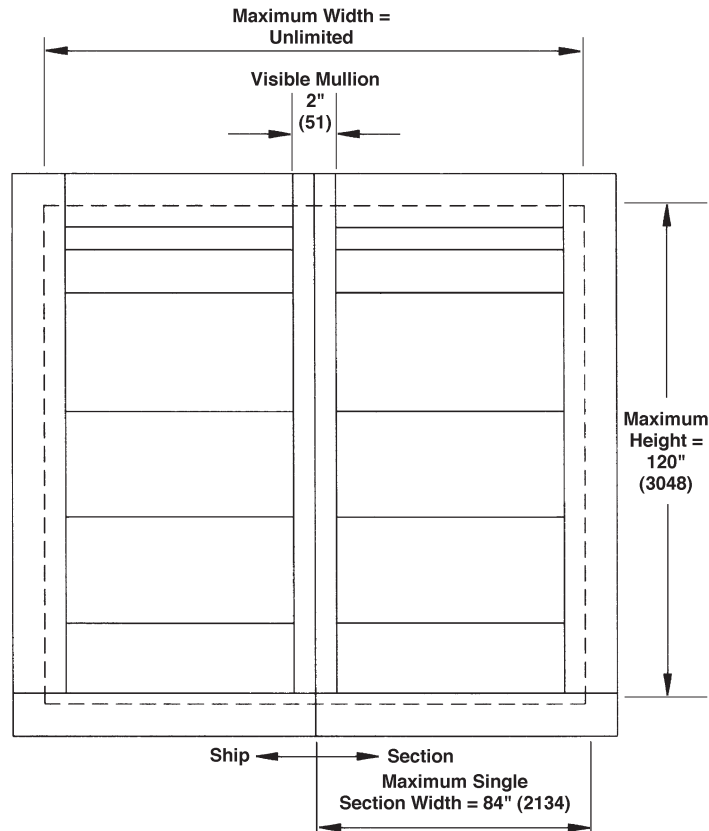
TAG	QTY.	SIZE		FRAME	WALL DEPTH	VARIATIONS
		A*-WIDE	B*-HIGH			
PROJECT ARCH./ENGR. REPRESENTATIVE		 WebREPS 1-800-810-3280		LOCATION CONTRACTOR DATE		

FRAME CONSTRUCTION

Box Frame (BX)
See general note #4.



Sleeved Box (SB)

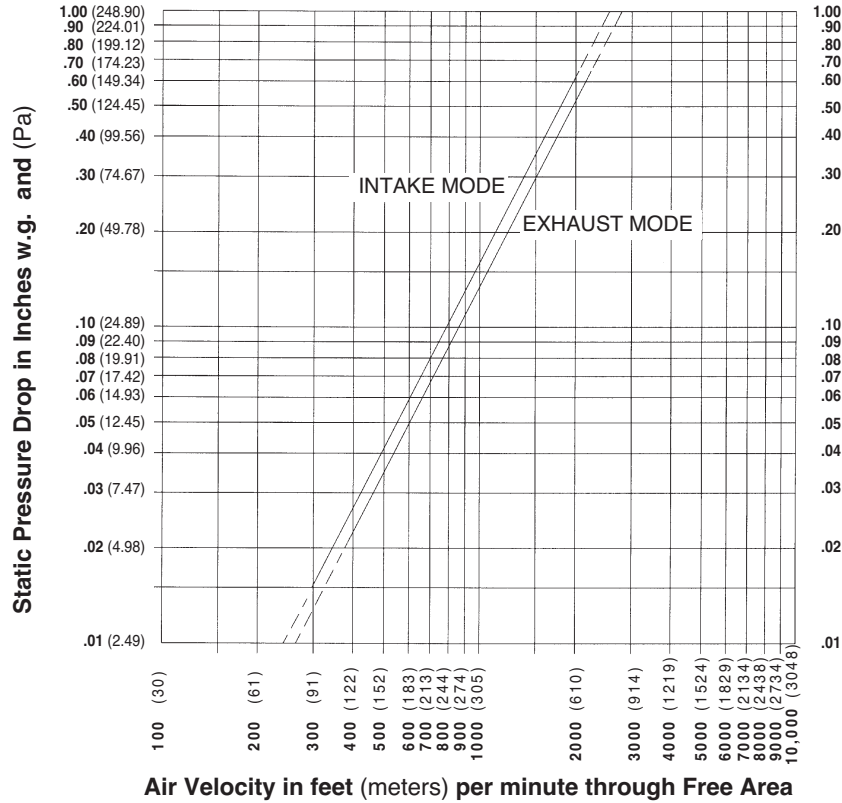
UNIVERSAL FLANGE FRAME CONSTRUCTION

FRONT ELEVATION OF 6375DC LOUVER W/UFF

GENERAL NOTES:

1. Reference separate Installation Instruction sheets for installation details. Each frame style has a distinct installation method that must be compiled with for Miami-Dade Approval. It is the responsibility of the installing contractor to properly install the louvers per the appropriate detail.
2. On special orders, Reliable may provide submittal and/or shop drawings. Reference these drawings for additional installation information.
3. Continuous angles and fasteners supplied with UFF louvers are shipped loose.
4. Louvers may be provided with hidden vertical blade supports (HVBS) that increase overall installation depth by several inches. Consult Reliable Louver Engineering for exact HVBS depth.
5. Louvers wider than the maximum single section width will be shipped in multiple sections and will require field assembly.

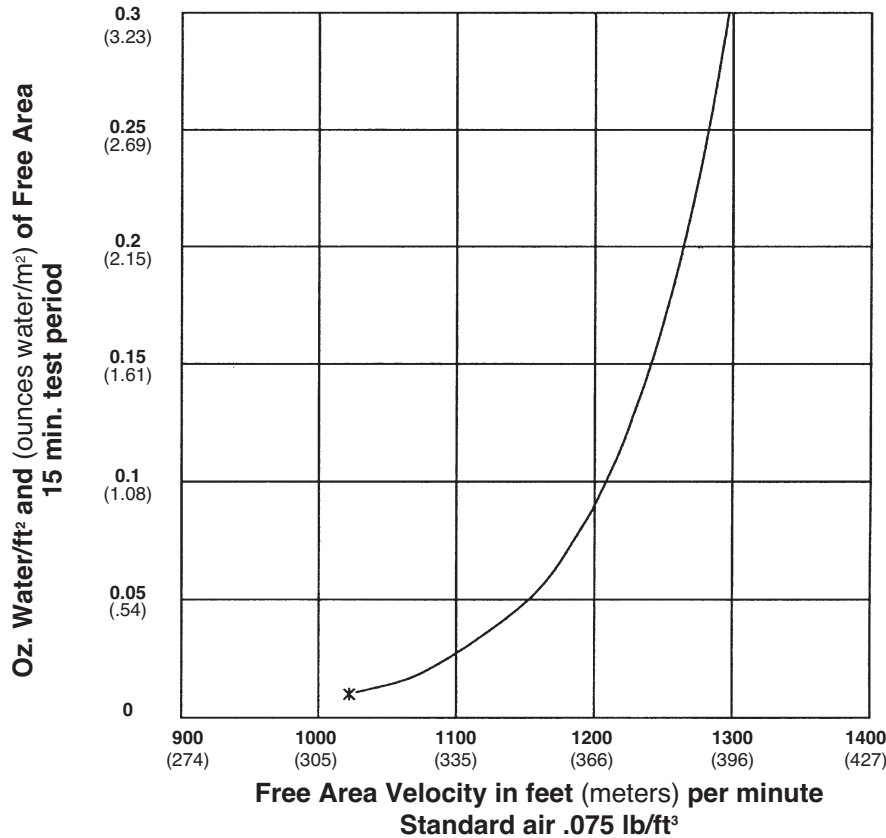
PRESSURE DROP



WATER PENETRATION GRAPH

Test size 48" wide x 48" high (1219 x 1219)

Beginning point of water penetration at .01 oz./sq. ft. is 1023 fpm (312 m/min).



Ratings do not include the effect of a bird screen.



Reliable Products certifies that the 6375DC Louvers shown herein are licensed to bear the AMCA Seal. The ratings shown are based on tests and procedures performed in accordance with AMCA Publication 511 and comply with the requirements of the AMCA Certified Ratings Program. The AMCA Certified Ratings Seal applies to air performance ratings and water penetration ratings only.



MIAMI-DADE COUNTY HURRICANE STRUCTURAL TEST PERFORMANCE

SIZE TESTED: 251³/₄ W X 119³/₄ H (6394 X 3042)

PA 201-94 LARGE MISSILE IMPACT TEST (LOUVER ONLY):

MISSILE TYPE	VELOCITY IN FT/SEC (M/SEC)	IMPACTS
9 lb (4kg) Southern Pine 2" x 4" (51 x 102)	50 (15.24)	7

PA 202-94 UNIFORM STATIC AIR PRESSURE TEST (LOUVER ONLY)

LOAD IN PSF (kPA)	LOAD DURATION	LOUVER/DAMPER RECOVERY
+111 (+5.3)	30 seconds	100%
-111 (-5.3)	30 seconds	100%
+148 (+7.1)	30 seconds	100%
-148 (-7.1)	30 seconds	100%
+222 (+10.6)	30 seconds	100%
-222 (-10.6)	30 seconds	100%

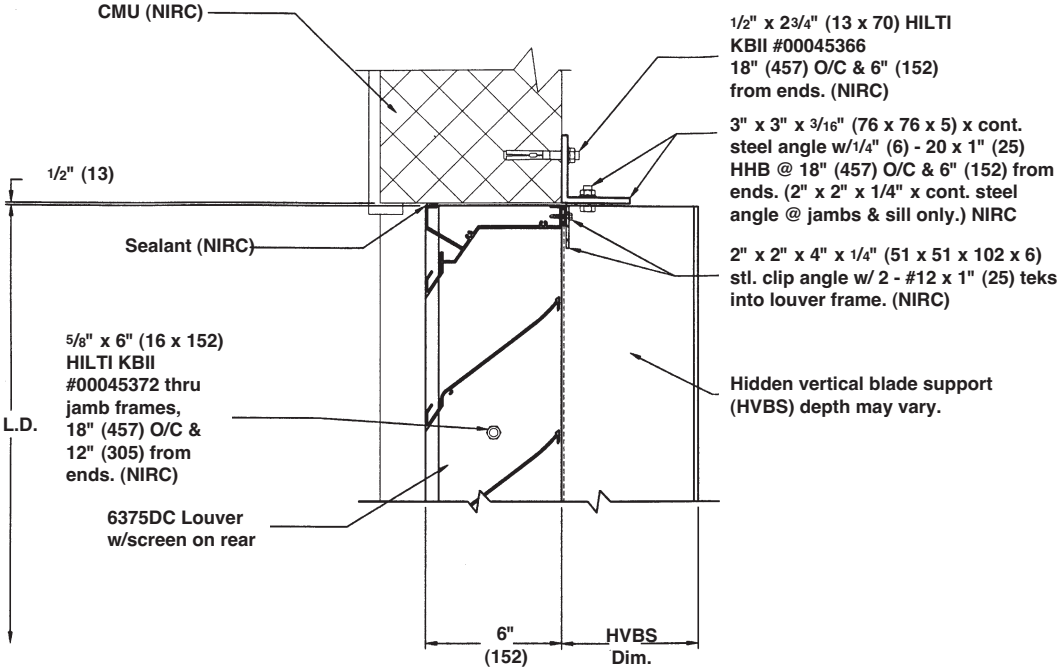
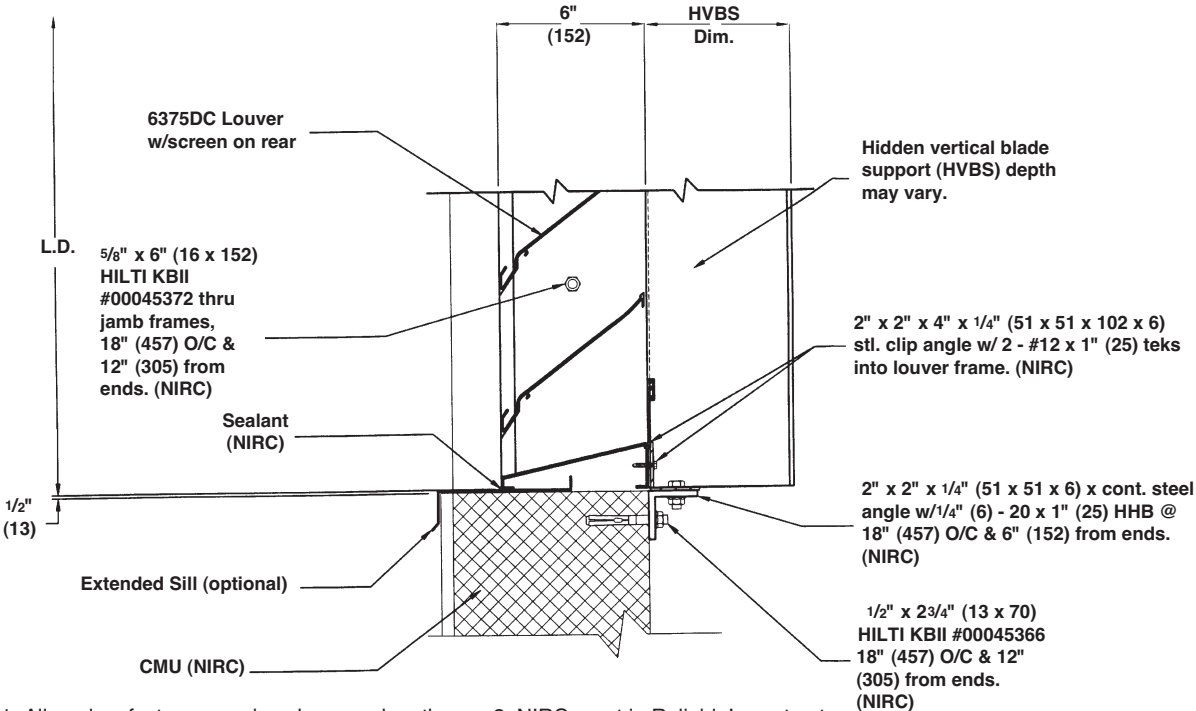
PA 203-94 CYCLIC WIND PRESSURE TEST (LOUVER ONLY)

CYCLES	LOAD IN PSF (kPA)	LOAD DURATION CYCLE	LOUVER RECOVERY
600	+74 (+3.54)	1 to 3 seconds	100%
600	-74 (-3.54)	1 to 3 seconds	100%
70	+88.8 (+4.25)	1 to 3 seconds	100%
70	-88.8 (-4.25)	1 to 3 seconds	100%
1	+192.4 (+9.21)	1 to 3 seconds	100%
1	-192.4 (-9.21)	1 to 3 seconds	100%

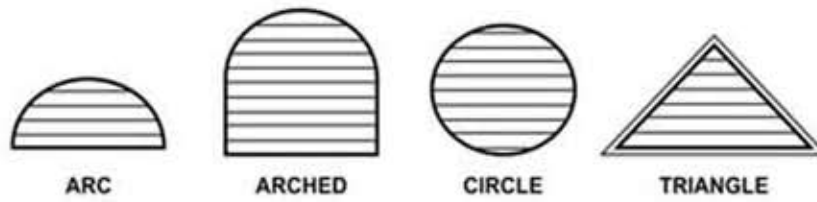
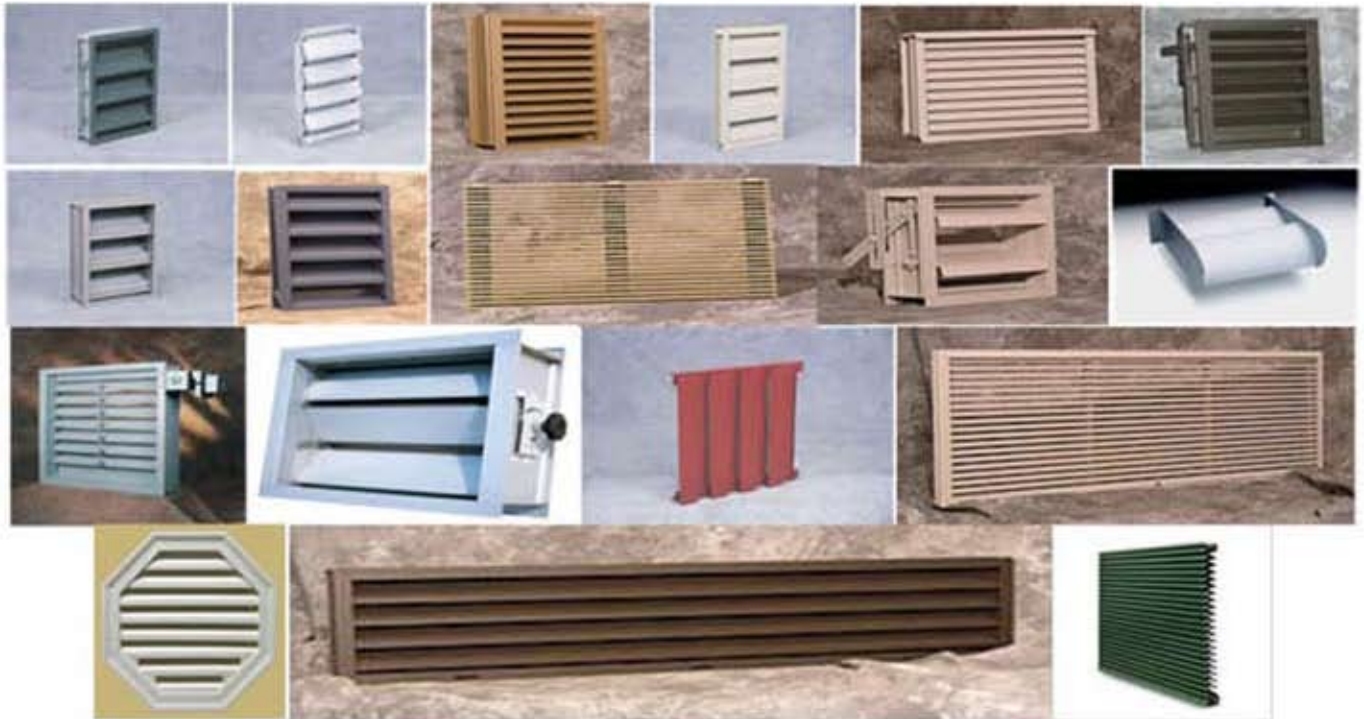
FREE AREA GUIDE

Free Area Guide shows free area in ft² and m² for various sizes of 6375DC.
Width – Inches and Meters

	12	18	24	30	36	42	48	54	60	66	72	78	84	90	96	102	108	114	120
	0.30	0.46	0.61	0.76	0.91	1.07	1.22	1.37	1.52	1.68	1.83	1.98	2.13	2.29	2.44	2.59	2.74	2.90	3.05
12	0.31	0.49	0.67	0.86	1.04	1.22	1.41	1.59	1.77	1.96	2.14	2.32	2.51	2.69	2.88	3.06	3.25	3.43	3.61
0.30	0.03	0.05	0.06	0.08	0.10	0.11	0.13	0.15	0.16	0.18	0.20	0.22	0.23	0.25	0.27	0.28	0.30	0.32	0.34
18	0.58	0.93	1.28	1.63	1.98	2.32	2.68	3.03	3.37	3.73	4.08	4.42	4.77	5.13	5.48	5.82	6.18	6.52	6.87
0.46	0.05	0.09	0.12	0.15	0.18	0.22	0.25	0.28	0.31	0.35	0.38	0.41	0.44	0.48	0.51	0.54	0.57	0.61	0.64
24	0.86	1.38	1.89	2.40	2.92	3.43	3.96	4.47	4.98	5.50	6.02	6.53	7.05	7.57	8.09	8.60	9.12	9.63	10.15
0.61	0.08	0.13	0.18	0.22	0.27	0.32	0.37	0.42	0.46	0.51	0.56	0.61	0.66	0.70	0.75	0.80	0.85	0.89	0.94
30	1.14	1.82	2.50	3.18	3.87	4.54	5.24	5.92	6.59	7.28	7.97	8.64	9.33	10.01	10.70	11.37	12.06	12.74	13.42
0.76	0.11	0.17	0.23	0.30	0.36	0.42	0.49	0.55	0.61	0.68	0.74	0.80	0.87	0.93	0.99	1.06	1.12	1.18	1.25
36	1.41	2.26	3.11	3.95	4.80	5.64	6.52	7.35	8.18	9.04	9.89	10.73	11.58	12.44	13.29	14.13	14.98	15.82	16.67
0.91	0.13	0.21	0.29	0.37	0.45	0.52	0.61	0.68	0.76	0.84	0.92	1.00	1.08	1.16	1.24	1.31	1.39	1.47	1.55
42	1.69	2.70	3.72	4.72	5.75	6.74	7.79	8.79	9.79	10.81	11.83	12.83	13.86	14.88	15.89	16.90	17.92	18.92	19.94
1.07	0.16	0.25	0.35	0.44	0.53	0.63	0.72	0.82	0.91	1.00	1.10	1.19	1.29	1.38	1.48	1.57	1.67	1.76	1.85
48	1.97	3.15	4.33	5.50	6.69	7.86	9.08	10.24	11.40	12.59	13.78	14.95	16.14	17.33	18.51	19.68	20.87	22.04	23.23
1.22	0.18	0.29	0.40	0.51	0.62	0.73	0.84	0.95	1.06	1.17	1.28	1.39	1.50	1.61	1.72	1.83	1.94	2.05	2.16
54	2.24	3.59	4.94	6.27	7.63	8.96	10.35	11.67	13.00	14.35	15.71	17.04	18.40	19.75	21.10	22.44	23.79	25.12	26.48
1.37	0.21	0.33	0.46	0.58	0.71	0.83	0.96	1.08	1.21	1.33	1.46	1.58	1.71	1.84	1.96	2.09	2.21	2.33	2.46
60	2.52	4.03	5.55	7.05	8.57	10.06	11.62	13.12	14.60	16.13	17.65	19.14	20.67	22.19	23.71	25.21	26.73	28.22	29.75
1.52	0.23	0.37	0.52	0.66	0.80	0.93	1.08	1.22	1.36	1.50	1.64	1.78	1.92	2.06	2.20	2.34	2.48	2.62	2.76
66	2.80	4.47	6.16	7.82	9.51	11.17	12.90	14.56	16.20	17.90	19.59	21.24	22.94	24.63	26.31	27.98	29.67	31.32	33.01
1.68	0.26	0.42	0.57	0.73	0.88	1.04	1.20	1.35	1.51	1.66	1.82	1.97	2.13	2.29	2.44	2.60	2.76	2.91	3.07
72	3.08	4.92	6.76	8.59	10.45	12.27	14.18	16.00	17.81	19.67	21.53	23.35	25.21	27.07	28.91	30.74	32.60	34.42	36.28
1.83	0.29	0.46	0.63	0.80	0.97	1.14	1.32	1.49	1.66	1.83	2.00	2.17	2.34	2.52	2.69	2.86	3.03	3.20	3.37
78	3.35	5.36	7.37	9.37	11.40	13.38	15.45	17.44	19.41	21.44	23.47	25.45	27.48	29.51	31.52	33.51	35.54	37.52	39.55
1.98	0.31	0.50	0.68	0.87	1.06	1.24	1.44	1.61	1.80	1.99	2.18	2.37	2.55	2.74	2.93	3.11	3.30	3.49	3.68
84	3.63	5.80	7.98	10.14	12.34	14.48	16.73	18.88	21.02	23.21	25.41	27.55	29.75	31.94	34.12	36.28	38.48	40.62	42.82
2.13	0.34	0.54	0.74	0.94	1.15	1.35	1.55	1.75	1.95	2.16	2.36	2.56	2.76	2.97	3.17	3.37	3.58	3.77	3.98
90	3.91	6.25	8.59	10.92	13.28	15.59	18.01	20.32	22.62	24.98	27.35	29.65	32.02	34.38	36.73	39.05	41.41	43.72	46.09
2.29	0.36	0.58	0.80	1.01	1.23	1.45	1.67	1.89	2.10	2.32	2.54	2.76	2.98	3.19	3.41	3.63	3.85	4.06	4.28

INSTALLATION DETAILS**HEAD & JAMB DETAIL****SILL DETAIL**

NOTES: 1. All angles, fasteners and anchors are by others. 2. NIRC = not in Reliable's contract.



LOUVERS

We have 1000's of submittals, and color options, give us a call. We will send you a spec sheet, give you a time frame and get a quote on just about anything !

Call: 800-810-3280 ext. 101

