

AEL-42-7020-MD

Extruded Aluminum | Florida Product Approval FBC# 40250.1



APPLICATION

The AEL-42-7020-MD is 1.5" deep, mechanically fastened, extruded aluminum, horizontal, stationary louver designed for use with PTAC units.

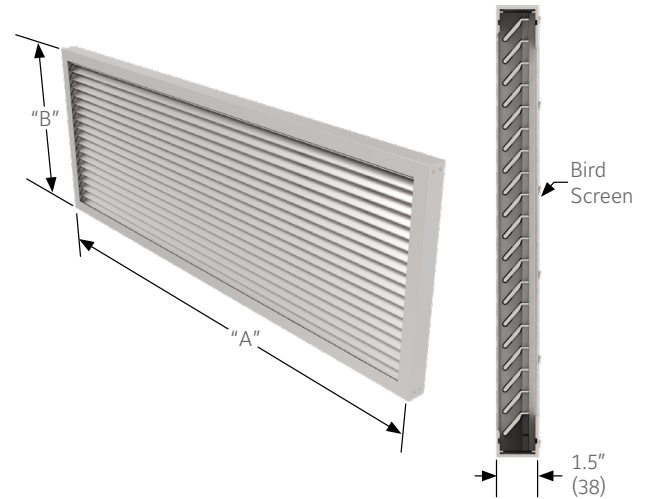
STANDARD CONSTRUCTION

Frame	1.5" (38) deep, 6063T6 extruded aluminum with .094 (2.4) nominal wall thickness.
Blades	6063T6 extruded aluminum .125" (3.2) nominal wall thickness. Blades are spaced approximately .775" (20) center to center.
Finish	Mill.
Minimum Size	43.375" x 16" or below.

Consult Reliable for additional information.

FEATURES

- Windload 50 PSF
- Mechanically fastened
- Florida Product Approval FBC# 40250.1



VARIATIONS

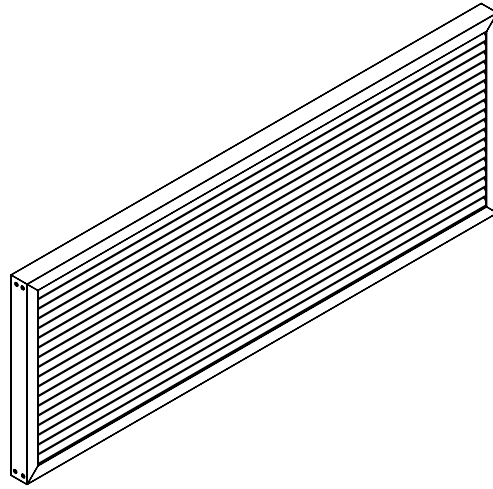
- Optional finishes available at additional cost: Prime coat, 50% PVDF (modified fluoropolymer), Epoxy, Pearledize, 70% PVDF, Clear and Anodized finishes. (Some variation in anodize color consistency is possible)

Consult Reliable for other special requirements.

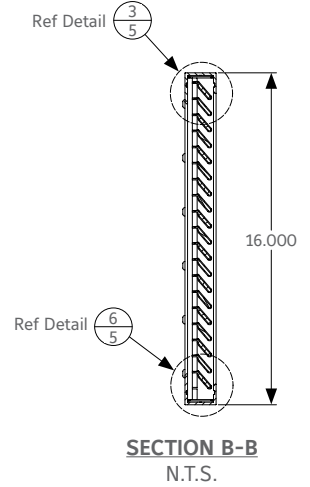
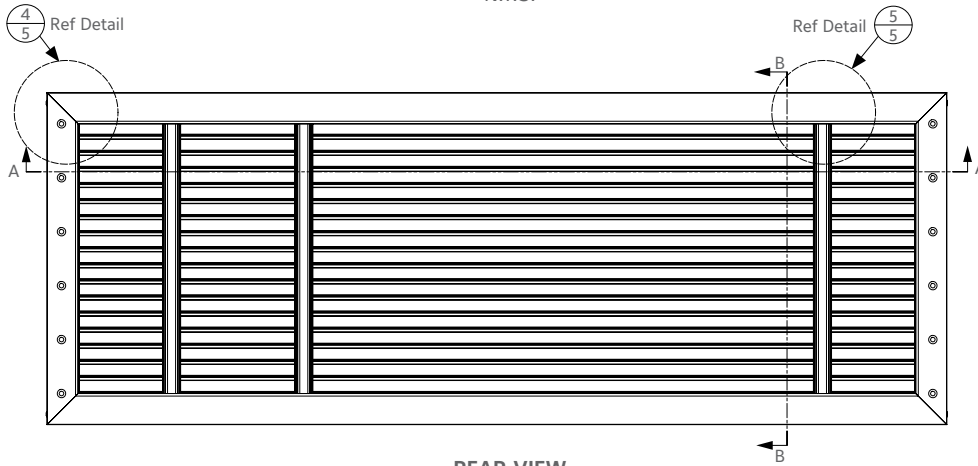
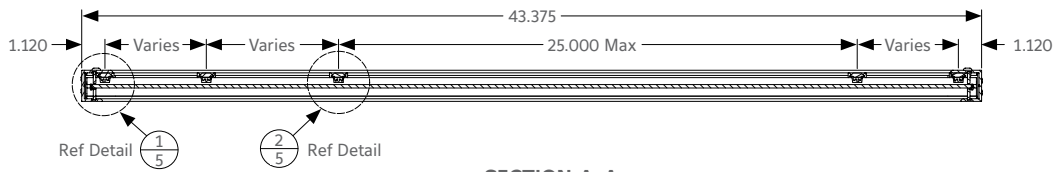
Note:

- Dimensions in inches, parenthesis () indicate millimeters.
- Units can be furnished actual size or with size deducts.

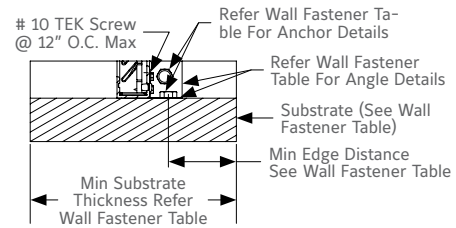
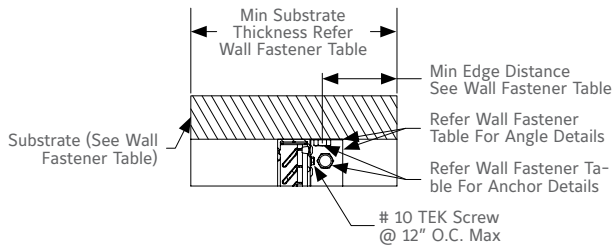
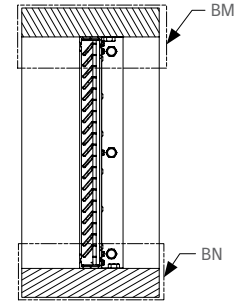
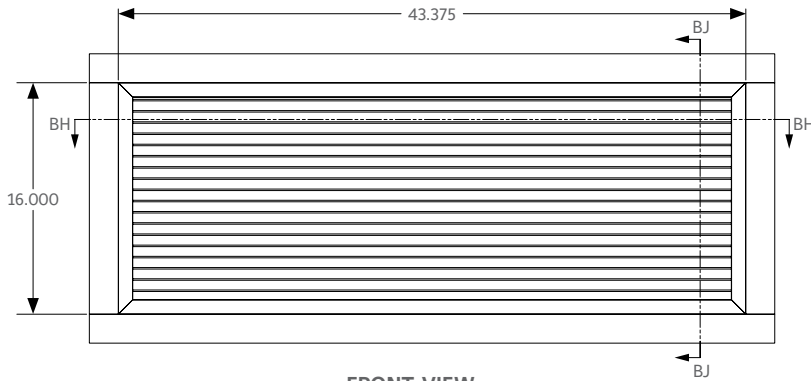
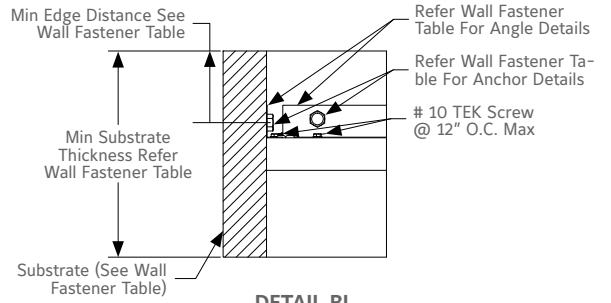
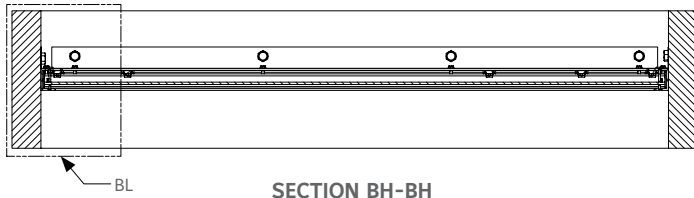
TYPICAL INSTALLATION DETAILS



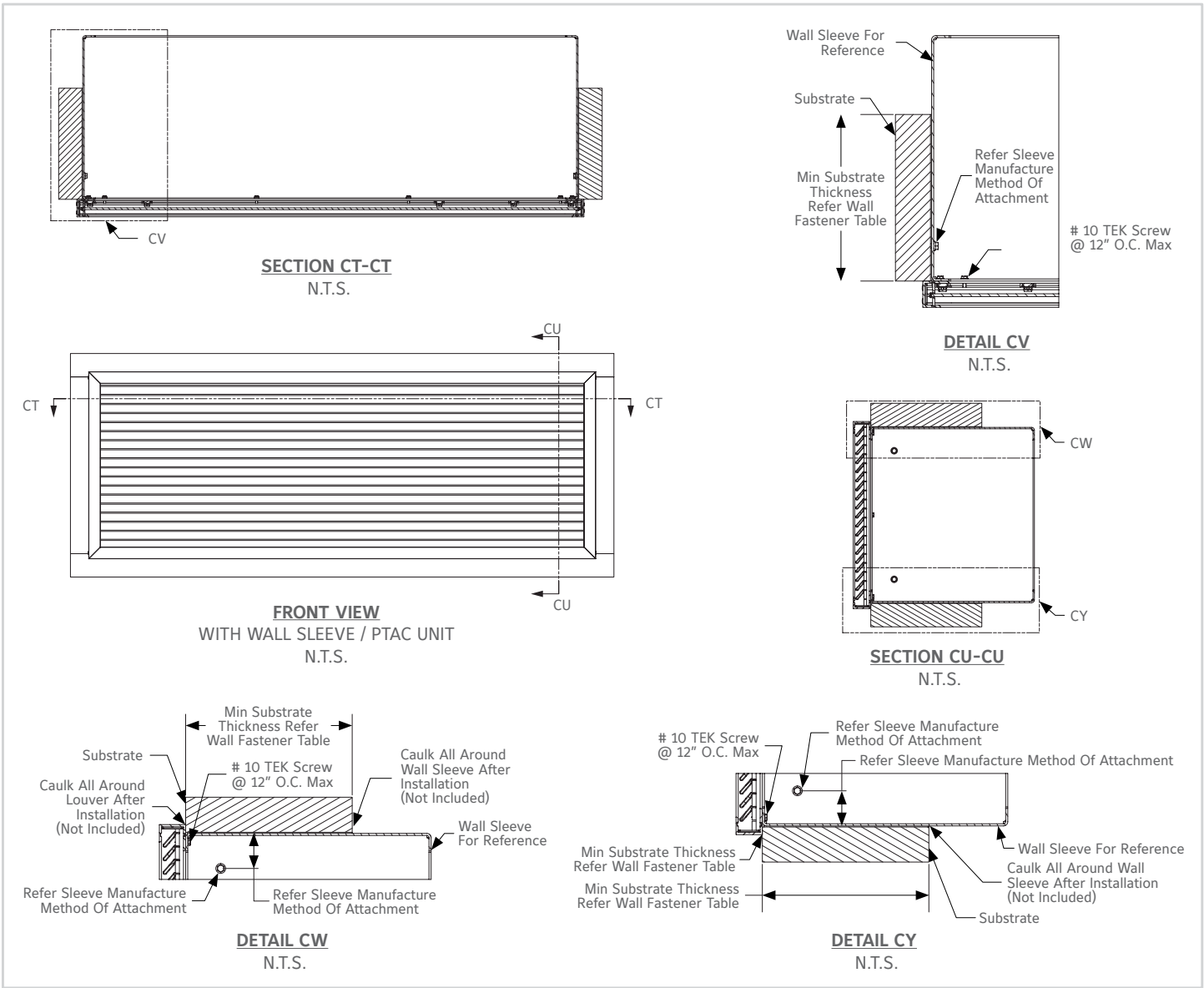
RECTANGLE LOUVER
N.T.S.



TYPICAL INSTALLATION DETAILS



TYPICAL INSTALLATION DETAILS



WALL FASTENER TABLE (N.I.C.)

Wall Fastener Table (N.I.C.)					
Substrate Type	Min. Substrate Requirements	Fastener Type	Min. Embedment	Min. Edge Distance	Spacing
Wood	3" Thick, specific gravity = 0.42	1/4"-20 Bolt w/nut, A307 grade A	2"	1.5"	8"
		3/8" Dia. 1.5" long screw, A307 grade A	1.25"	1.0"	
Steel	18 Gauge, FU = 45 KSI, FY = 33 KSI	1/4"-20 Bolt w/nut, A307 grade A	N/A	0.5"	8"
	12 Gauge, FU = 45 KSI, FY = 33 KSI	1/4"-20 SD Screw, CS		1.0"	
Aluminum	0.125" Thick, FU = 20 KSI, FY = 15 KSI	1/4"-20 Bolt w/nut, A307 grade A	N/A	1.0"	8"
		1/4"-20 SD Screw, CS			
Concrete	FC = 2500 PSI	1/4" Dia. SIMPSON STRONG-TIE TITEN HD screw anchor	1.625"	3.0"	8"
		1/4" Dia. DEWALT SCREW-BOLT + screw anchor	1.625"	2.0"	
		1/4" Dia. HILTI KWIK HUS-EZ screw anchor	1.625"	2.0"	
		1/4" Dia. ELCO AGGRE-GATOR, 300 series SS	1.0"	1.5"	
Grout Filled CMU	F'M = 1500 PSI	1/4" Dia. SIMPSON STRONG-TIE TITEN HD screw anchor	2.5"	1.25"	8"
		1/4" Dia. DEWALT SCREW-BOLT + screw anchor	1.625"	2.0"	
		1/4" Dia. HILTI KWIK HUS-EZ screw anchor	1.625"	4.0"	
		1/4" Dia. ELCO AGGRE-GATOR, 300 series SS	1.25"	2.0"	

LINKS TO IMPORTANT DOCUMENTS

Document Title

Finishes and Color Guide

Limited Warranty Document



1300 Enterprise Road, P.O. Box
580, Geneva, Alabama 36340
Tel: 334-684-3621
Tel: 800-624-3914
Fax: 800-508-1469